

## GRID

629-40122955ddd

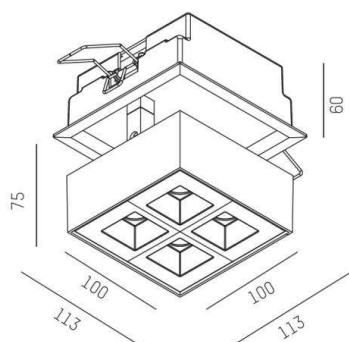
GRID TURN R RECESSED SPOTLIGHT made of metal, white, similar to RAL 9016, lens optic with anti-glare grid beam 30°, light output direct, UGR <19, swiveling 355°, tilting 90°, with converter, max. 700mA, dimmability: DALI, IP20



## DRAWING

 106 x 106mm ET 90mm

 8-30mm



## LIGHT DISTRIBUTION CURVE

## TECHNICAL DETAILS

System perform. [W]	10
Bulb type	LED
Luminous flux [lm]	570
Current sec. [mA]	700
Colour temp. [K]	3000K
CRI	>90
UGR	<19
Optics	lens optics with glare control louvre
Designer	INHOUSE
Converter	with converter
Light output	direct
Beam angle [°]	30°
Voltage [V]	220-240V 50/60Hz
Material	metal
Length [mm]	100
Width [mm]	100
Height [mm]	125
Ceiling cutout [mm]	106x106
Ceiling thickness [mm]	8-30
Recess depth [mm]	90
IP protection class	IP20
Voltage class	protection cl. I
Net weight [kg]	0,84
Color lamp	white
RAL	9016
EAN-Number	9008905616853
Lifetime [h]	L80 B10 50 000
Energy efficiency cl.	G



The values are rated values. Power and luminous flux are initially subject to a tolerance of +/- 10%. Colour temperature tolerance: +/- 150 K. The values apply to an ambient temperature of 25°C unless otherwise specified.