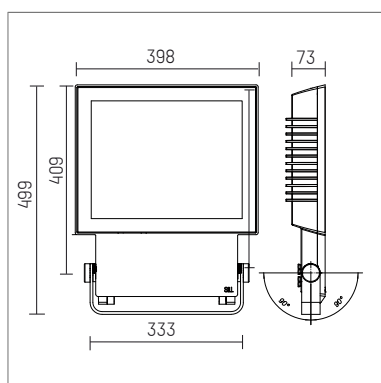




49L4140WW | black

49L
projector
LED | 135 W 3000 K



- projector 49L
- for wall-, ground or pole-mounting
- with pivoting mounting bracket
- with LED 13400 lm
- colour temperature: 3000 K
- colour rendering index: CRI >80
- L80 / B10 (50.000h)
- SDCM < 3
- net luminous flux: 12780 lm
- total load: 135 W
- luminous efficacy: 94,7 lm/W
- rotationsymmetrical light distribution, flood
- beam angle: 44 °
- with built in LED power unit, electronic (DALI), 220-240 V, 50/60 Hz
- temperature-controlled LED circuit board (NTC)
- power supply: connecting terminal 7x2,5 mm²
- 2xM20 cable gland for cables 8-12mm, mains loop-in loop-out capable
- corrosion resistant aluminium housing AlSi12
- safety glass, clear
- length: 499 mm, width: 398 mm, height: 73 mm
- ± 90° tiltable
- windage area: 0,18 m²
- weight: 13,5 kg
- protection rating: IP65
- protection class I
- 5 years warranty
- maximum ambient temperature: 45 ° C
- impact resistance class: IK09
- certificates: manufactured according to DIN VDE 0711 / EN 60598
- colour: black (RAL9005)
- 49L4140WW

- Overview of accessories on the following page / s

49L4140WW
accessory

Optional accessories

description accessory general	dimensions in mm	item number	pic.-No.
Wire guard for projector 49L		849L00100	01
Four-sided screen for projector 49L		849L00200	02
Horizontal screen, with adjustable blades for projector 49L		849L00300	03
Vertical screen, with adjustable blades for projector 49L		849L00400	04
Three-sided screen for projector 49L		849L00500	05
honeycomb louver for projector 49L		849L02000	06
Satinised glass, for diffusing projector 49L		849L02100	07
Clear glass partially satinated, for diffusing the upper or lower part of light emission for projector 49L		849L02200	08
Grooved glass horizontal, type 555 B for projector 49L		849L02300	09
Grooved glass vertical, type 555 B for projector 49L		849L02400	10
Structured glass Albarino S, Fine structure for diffusion, light transmission 91,5% for projector 49L		849L02600	11
Conversion filter daylight, Raises the colour temperature from 3000K to 4450K and from 5700K to 14.500K for projector 49L		849L03200	12
Conversion filter neutral, Raises the colour temperature from 3000K to 3650K for projector 49L		849L03100	13
Conversion filter warm, Lowers the colour temperature from 3000K to 2600K for projector 49L		849L03000	14
Wall bracket, L=0,5m for projector series 49L		849400500	15
Column mounting bracket, for column diameters 80-120 mm for projector 49L		849400700	16
Column clamp, for column diameters 115-120 mm		855500 200-120	17
Column clamp, for column diameters 150-170 mm		855500 200-170	17
Column clamp, for column diameters 55-60 mm		855500 200-60	17
Column clamp, for column diameters 60-89 mm		855500 200-89	17
Column clamp, for column diameters 85-92 mm		855500 200-92	17
Column clamp, for column diameters 100 mm		856100 200-100	18
Column clamp, for column diameters 108 mm		856100 200-108	18
Column clamp, for column diameters 120 mm		856100 200-120	18
Column clamp, for column diameters 140 mm		856100 200-140	18
Column clamp, for column diameters 160 mm		856100 200-160	18
Column clamp, for column diameters 170 mm		856100 200-170	18
Column clamp, for column diameters 80 mm		856100 200-80	18

49L4140WW
accessory

Optional accessories

description accessory general	dimensions in mm	item number	pic.-No.
Column clamp, for column diameters 90 mm		856100 200-90	18

