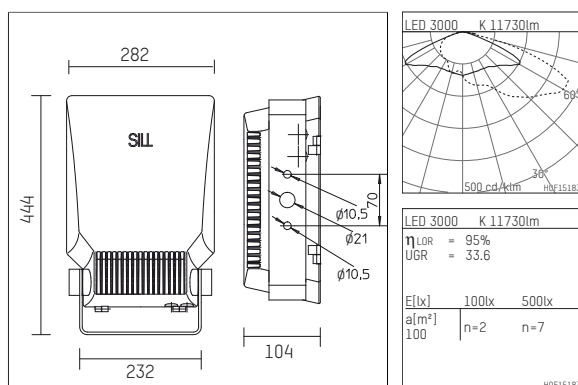


## 1535120WW08-1D | silver

153  
plane projector  
LED | 120 W 3000 K



- plane projector 153
- with mounting bracket
- for wall-, ground or pole-mounting
- with LED 11730 lm
- colour temperature: 3000 K
- colour rendering index: CRI >70
- L90 / B10 (50.000h)
- total load: 120 W
- asymmetrical light distribution, deep
- with built in LED power unit, electronic (DALI), 220-240 V, 0/50/60 Hz
- overvoltage protection 6KV
- optional DC voltage suitable (AC/DC) - 15% power for operation in emergency lighting systems
- further dimming functions on request
- amplitude dimming
- power supply: connecting terminal 5x2,5 mm<sup>2</sup>
- through wiring with 2xM20 cable gland for cables 8-12mm
- corrosion resistant aluminium housing AlSi12
- safety glass, clear
- glass can be hinged opened by releasing two captive screws.
- length: 444 mm, width: 282 mm, height: 104 mm
- pivot range +120°/-45°
- windage area: 0,04 m<sup>2</sup>
- weight: 5,6 kg
- protection rating: IP67
- protection class I
- 5 years warranty
- maximum ambient temperature: 35 ° C
- certificates: manufactured according to DIN VDE 0711 / EN 60598, CE
- colour: silver (RAL9006)
- 1535120WW08-1D

- Overview of accessories on the following page / s

1535120WW08-1D

**accessory****Optional accessories**

description accessory general	dimensions in mm	item number	pic.-No.
Screen with louvres, horizontal for projector series 153 and 154	LxH: 419 x 272	845300900	01
Screen with louvres, vertical for projector series 153 and 154	LxH: 419 x 272	845301000	02

